

CITY OF COSTA MESA

LEGEND / SYMBOLS

GENERAL NOTES

- ALL WORK, LABOR AND MATERIALS SHALL BE IN CONFORMITY WITH THE STANDARD SPECIFICATIONS FOR PUBLIC WORKS CONSTRUCTION, (SPPWC), LATEST EDITION, THE STANDARD SPECIFICATIONS AND STANDARD DRAWINGS OF THE CITY OF COSTA MESA, (LATEST EDITION); THESE PLANS, THE PROJECT CONSTRUCTION DOCUMENTS; AND ALL SAFETY REGULATIONS, CODES, AND REQUIREMENTS PERTINENT TO THE PROJECT CONSTRUCTION.
- THE CONTRACTOR SHALL MAINTAIN TRAFFIC IN CONFORMANCE WITH THE PROJECT CONSTRUCTION DOCUMENTS AND SHALL PROVIDE 24 HOUR SERVICE TO REMOVE, INSTALL, RELOCATE, AND MAINTAIN TRAFFIC DEVICES.
- LOCATIONS OF EXISTING UTILITIES SHOWN ON THE PLANS ARE BASED ON INFORMATION RECEIVED FROM THE VARIOUS UTILITY COMPANIES, LOCAL AGENCIES AND FIELD INVESTIGATIONS. THE CONTRACTOR IS ADVISED THAT LOCATIONS SHOWN ARE APPROXIMATE, AND EXTREME CAUTION IS REQUIRED TO PROTECT THE EXISTING FACILITIES.
- AT NO TIME IS ANY RESIDENT TO BE WITHOUT ANY ACCESS UNLESS OTHERWISE APPROVED.
- THE CONTRACTOR SHALL NOTIFY THE PROJECT ADMINISTRATION DIVISION, TWO WORKING DAYS PRIOR TO START OF CONSTRUCTION.
- IF DISCREPANCIES AND/OR DEVIATIONS ARISE DURING CONSTRUCTION, THE ENGINEER WILL DETERMINE AN ACCEPTABLE SOLUTION AND REVISE THE PLANS FOR APPROVAL BY THE DIRECTOR OF PUBLIC WORKS.
- THE CONTRACTOR SHALL BE RESPONSIBLE FOR ALL DAMAGES TO ONSITE, OFFSITE AND ADJACENT UTILITIES, FACILITIES, AND PROPERTIES.
- THE CONTRACTOR SHALL TAKE ALL NECESSARY AND PROPER PRECAUTIONS TO PROTECT ADJACENT PROPERTY OWNERS FROM ANY AND ALL DAMAGES THAT MAY OCCUR FROM STORMWATER RUNOFF AND/OR DEPOSITION OF DEBRIS RESULTING FROM ANY AND ALL WORK IN CONJUNCTION WITH CONSTRUCTION OF THESE IMPROVEMENTS.
- ALL SURVEY MONUMENTS SHALL NOT BE DISTURBED BY THE CONSTRUCTION OF THIS PROJECT, AND THE CONTRACTOR SHALL BE RESPONSIBLE FOR THE RESTORATION OF ALL LOST OR OBLITERATED MONUMENTS, AS SPECIFIED BY THE SUBDIVISION MAP ACT.
- THE CONTRACTOR SHALL OBTAIN ALL PERMITS AS REQUIRED FROM CITY OF COSTA MESA AND APPLICABLE GOVERNMENTAL AGENCIES BEFORE CONSTRUCTION STARTS.
- CONTRACTOR SHALL VERIFY EXISTING CONDITIONS AND ELEVATIONS PRIOR TO ANY CONSTRUCTION AND SHALL INFORM THE ENGINEER OF ANY CONFLICTS.
- COORDINATION NOTE: CONTRACTOR IS RESPONSIBLE TO COORDINATE TIMING OF CONSTRUCTION WITH THE PROPERTY OWNERS AND THE ENGINEER.
- CONTRACTOR SHALL PROTECT EXISTING FOOTING IN PLACE AND INTACT AND SHALL INFORM THE ENGINEER OF ANY CONFLICTS.

THE CONTRACTOR AGREES THAT IN ACCORDANCE WITH GENERALLY ACCEPTED CONSTRUCTION PRACTICES, THE CONTRACTOR WILL BE REQUIRED TO ASSUME SOLE AND COMPLETE RESPONSIBILITY FOR JOB SITE CONDITIONS DURING THE CONSTRUCTION OF THE PROJECT, INCLUDING THE SAFETY OF ALL PERSONS AND PROPERTIES, THAT THESE REQUIREMENTS SHALL BE APPLIED CONTINUOUSLY AND NOT BE LIMITED TO NORMAL WORKING HOURS, AND THE CONTRACTOR FURTHER AGREES TO DEFEND, INDEMNIFY, AND PROTECT THE DESIGN PROFESSIONAL AGAINST ALL REAL OR ALLEGED CLAIMS IN CONNECTION WITH THE PERFORMANCE OF WORK ON THIS PROJECT, EXCEPTING LIABILITIES ARISING FROM THE SOLE NEGLIGENCE OF DESIGN PROFESSIONAL. UNAUTHORIZED CHANGES AND USES: THE ENGINEER PREPARING THESE PLANS WILL NOT BE RESPONSIBLE FOR, OR LIABLE FOR, UNAUTHORIZED CHANGES TO OR USE OF THESE PLANS. ALL CHANGES TO THE PLANS MUST BE IN WRITING AND MUST BE APPROVED BY THE PREPARER OF THESE PLANS.

BASIS OF BEARINGS:

STATE PLANE COORDINATE SYSTEM OF NAD 83, CALIFORNIA ZONE 6

BENCH MARK:

ORANGE COUNTY PUBLIC WORKS BMS:

CM-48-89, ELEVATION 98.838 FEET (NAVD88) YEAR 2005

1E-100-74, ELEVATION 95.626 FEET (NAVD88) YEAR 2005

SURVEY

SURVEY PERFORMED BY CALVADA SURVEYING

PLANS PREPARED BY:

CivilSource
9890 IRVINE CENTER DRIVE
IRVINE, CA 92618
TEL (949) 585-0477
FAX (949) 585-0433
WWW.CIVIL-SOURCE.COM

AMIREH AMIRANI 34283
CIVIL ENGINEER LICENSE NO.

CALL TOLL FREE
811
Know what's below.
Call two working before you dig.
Underground Service Alert

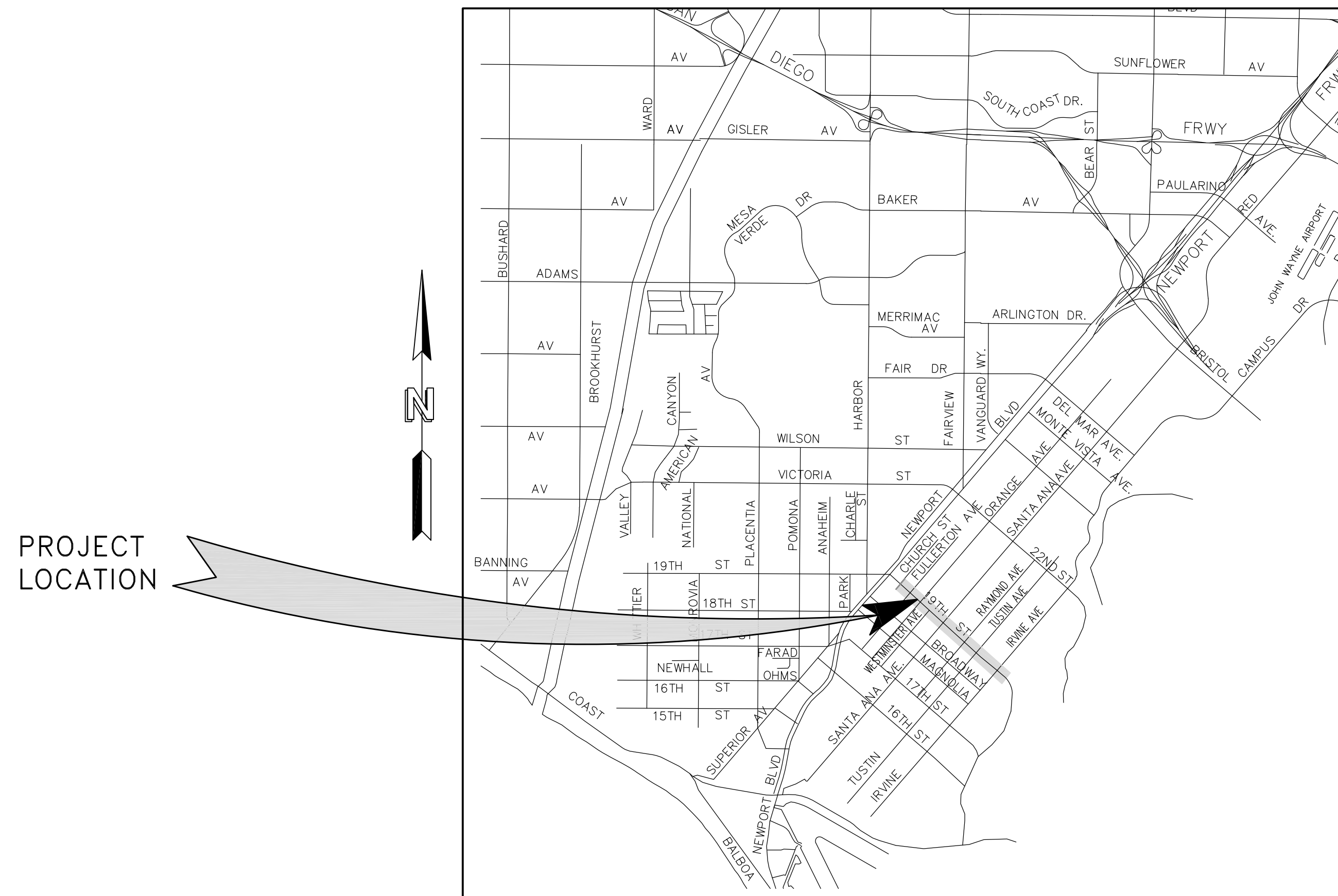
IMPROVEMENT PLANS FOR

E. 19TH STREET

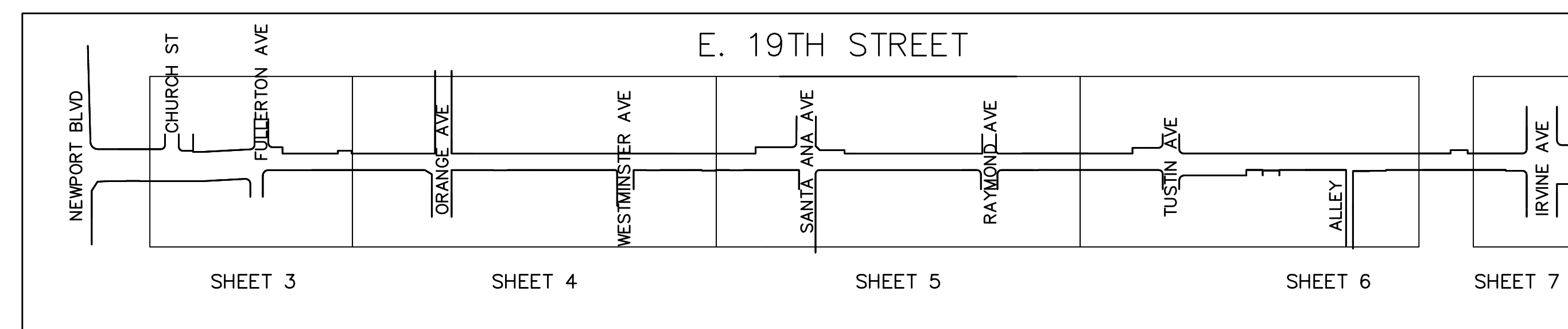
FROM CHURCH STREET TO IRVINE AVENUE

FEDERAL PROJECT NO. SRTSL-5312(089)

CITY PROJECT NO. 16-17



VICINITY MAP
NOT TO SCALE



INDEX MAP
SCALE 1"=400'

CALL THE FOLLOWING UTILITY AGENCIES
(2) WORKING DAYS PRIOR TO EXCAVATION

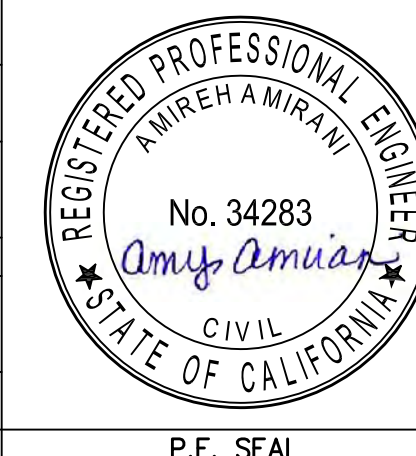
PUBLIC UTILITY AGENCY

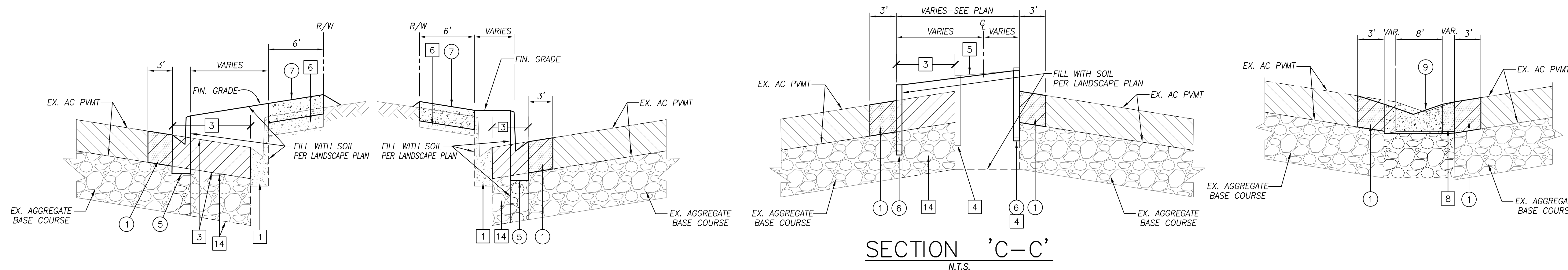
SOUTHERN CALIFORNIA GAS CO. MR. DAVID BALDWIN	(714) 634-3267	IRWD LLC MALCOM CORTEZ	(949) 453-5515
SOUTHERN CALIFORNIA GAS CO. TRANS MS. ROSALYN SQUIRES	(818) 701-4546	VERIZON BUSINESS BRYAN CHURCH	(626) 430-4572
SOUTHERN CALIFORNIA EDISON COMPANY MR. JEFF GILBERT	(714) 895-0363	ORANGE COUNTY WATER DISTRICT CHUCK STEINBERG	(714) 378-3229
MESA CONSOLIDATED WATER DISTRICT MR. MARK PELKA	(949) 631-1200	M POWER COMMUNICATIONS INC. MR. MARK DENNING	(949) 864-0296
COSTA MESA SANITARY DISTRICT MR. ROBIN HAMERS	(949) 631-1731	TIME WARNER MR. JOE BARRIOS	(714) 903-8337
AT&T TELEPHONE MR. CRAIG AKIN	(714) 237-6165	METROPOLITAN WATER DIST. OF SO. CA. MR. KIERAN CALLAHAN	(213) 217-7474
XO COMMUNICATIONS MR. STEWART McCAUSLAND	(949) 417-7762	OCTA / BUS SERVICES MR. MARK STRICKERT	(714) 560-5883
COUNTY SANITATION DISTRICTS OF O.C. MS. LYNN ELLIOTT	(714) 593-7333		

LIST OF DRAWINGS

SHT. NO.	DESCRIPTION
T-1	TITLE SHEET
C-2	TYPICAL SECTIONS AND DETAILS
C-3	PLAN AND PROFILE
C-4	PLAN AND PROFILE
C-5	PLAN AND PROFILE
C-6	PLAN AND PROFILE
C-7	PLAN AND PROFILE
C-8	STRIPING PLAN
LI-1	IRRIGATION PLAN
LI-2	IRRIGATION PLAN
LI-3	IRRIGATION PLAN
LI-4	IRRIGATION PLAN
LI-5	IRRIGATION NOTES AND LEGEND
LI-6	IRRIGATION DETAILS
LI-7	IRRIGATION DETAILS
L-1	PLANTING & CONSTRUCTION DETAILS PLAN
L-2	PLANTING & CONSTRUCTION DETAILS PLAN
L-3	PLANTING & CONSTRUCTION DETAILS PLAN
L-4	PLANTING PLAN
L-5	PLANTING LEGEND, NOTES AND DETAILS
S-1	PLANS, ELEVATIONS, DETAILS AND STRUCTURAL NOTES
E-0	GENERAL NOTES, SYMBOLS, INDEX & SINGLE LINE DIAGRAM
E-0.1	LIGHTING FIXTURE SCHEDULE & PANEL SCHEDULES
E-0.2	FIXTURE SPECIFICATIONS
E-1	ELECTRICAL POWER PLAN-FULLERTON AVENUE INTERSECTION
E-2	ELECTRICAL POWER PLAN-IRVINE AVENUE INTERSECTION
TCP-1	TRAFFIC CONTROL PLAN
TCP-2	TRAFFIC CONTROL PLAN
TCP-3	TRAFFIC CONTROL PLAN
TCP-4	TRAFFIC CONTROL PLAN
TCP-5	TRAFFIC CONTROL PLAN
TCP-6	TRAFFIC CONTROL PLAN

REVISIONS			CONTRACTOR	LIC #	REFERENCES	DESIGNED BY:	DATE	CHECKED BY:	DATE	EAST 19TH STREET TRAFFIC IMPROVEMENTS		1 of 32
NO.	DATE	DESCRIPTION	APP.		SEE INDIVIDUAL SHEETS	CS	AUG 2015	STEVEN SCHAPPEL	AUG 2015	TITLE SHEET		PLAN NUMBER
										CITY OF COSTA MESA		T-1
DATE OF CONSTRUCTION			APPROVED BY:			BALTAZAR MEJIA, CITY ENGINEER R.C.E. #50330			P.E. SEAL			
DATE ACCEPTED BY CITY COUNCIL												



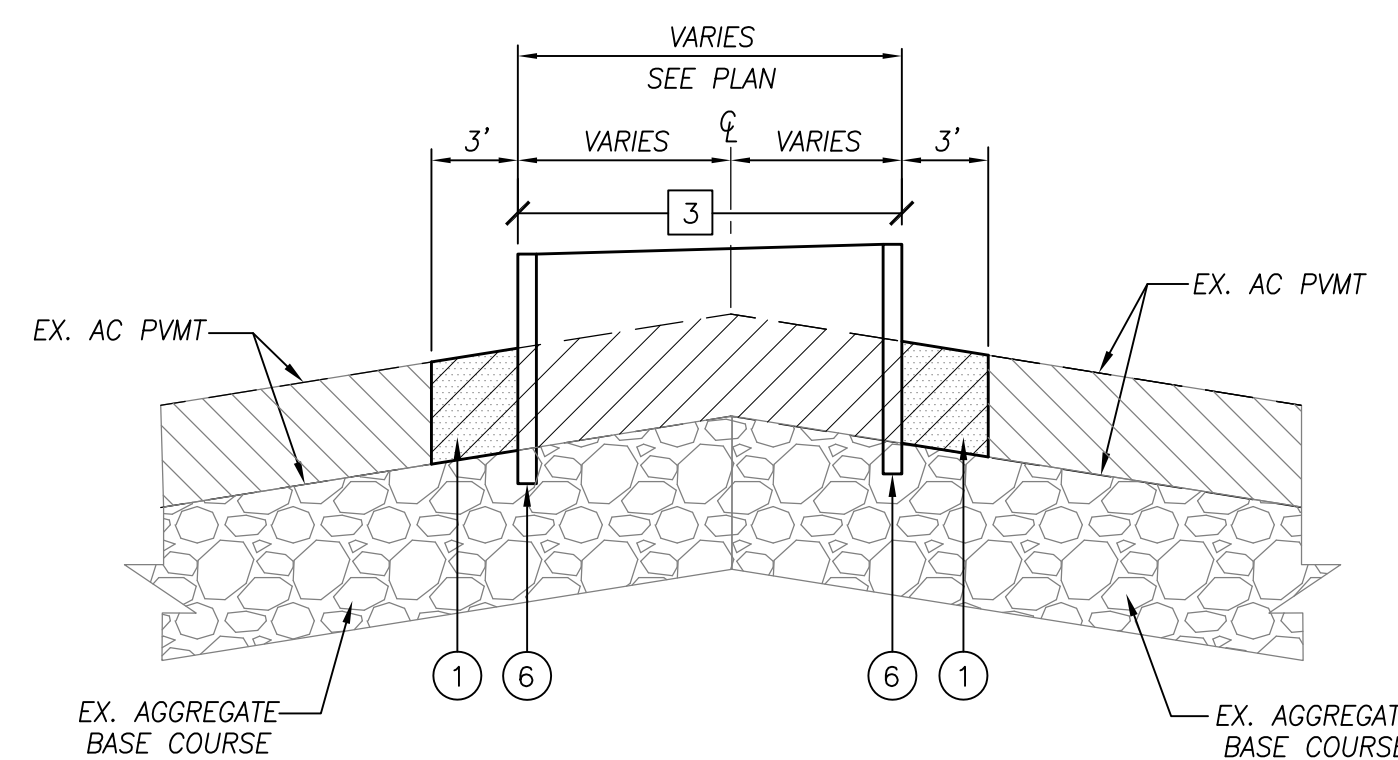


SECTION 'A-A'
N.T.S.

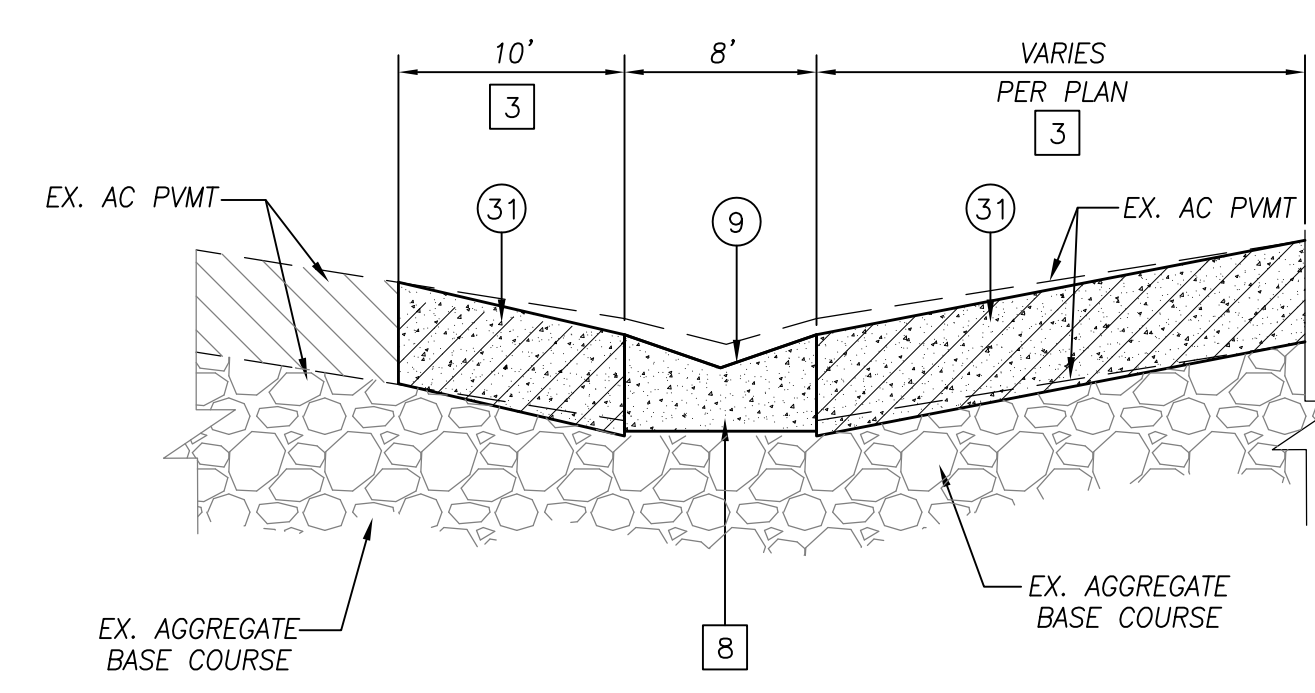
SECTION 'B-B'
N.T.S.

SECTION 'C-C'
N.T.S.

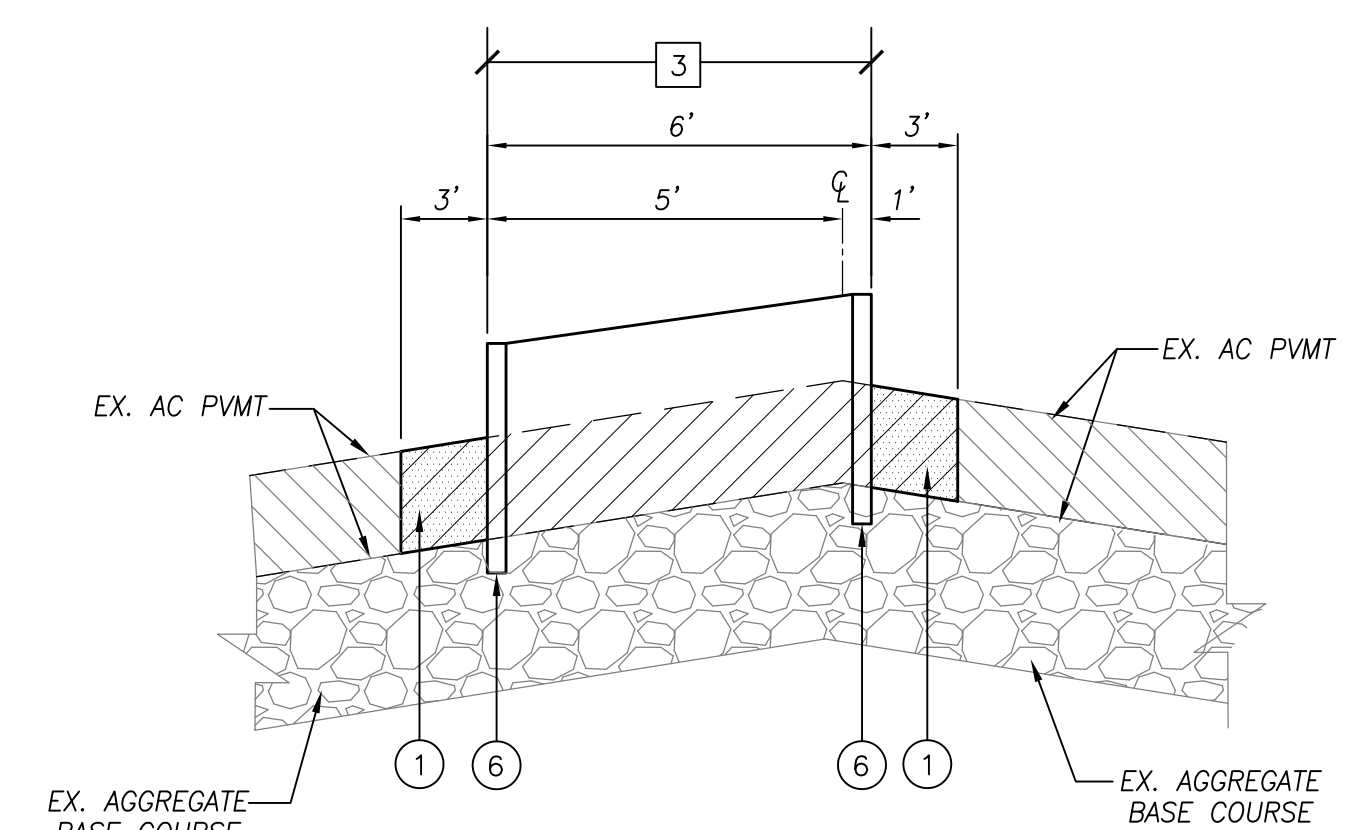
SECTION 'D-D'
N.T.S.



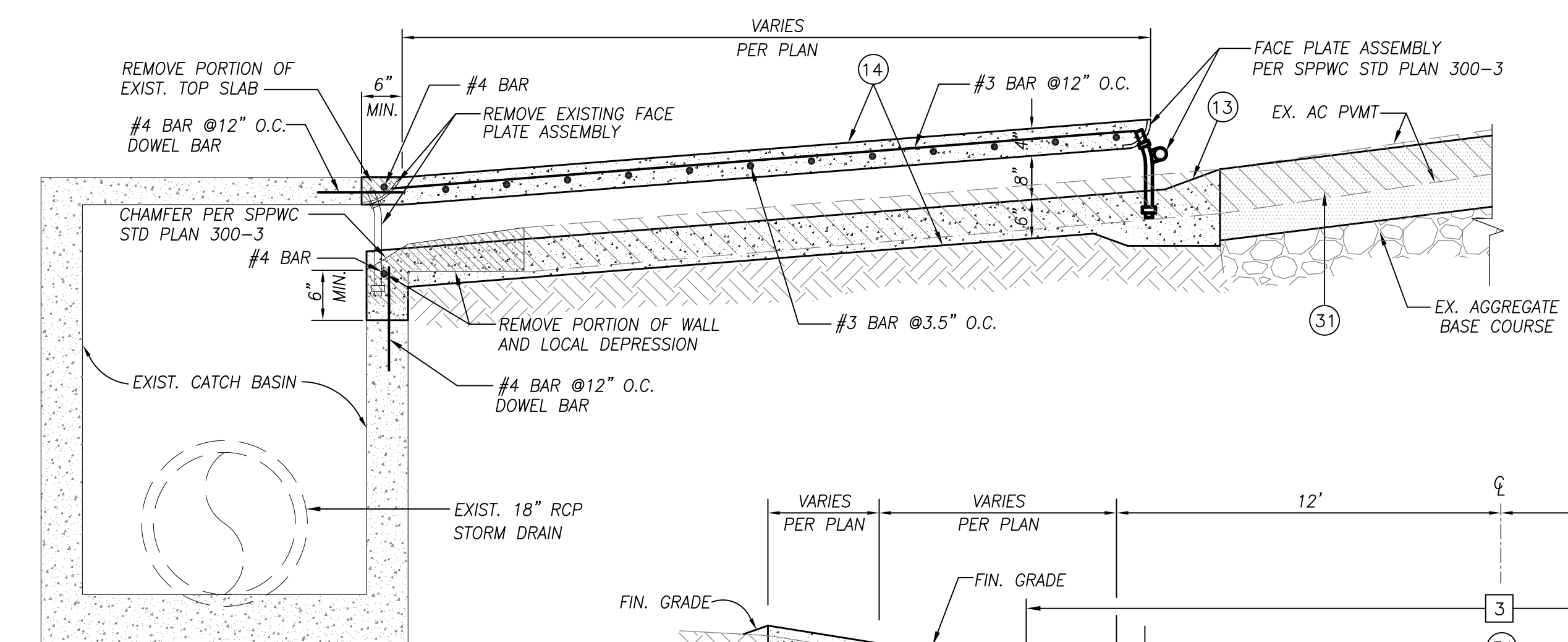
SECTION 'E-E'
N.T.S.



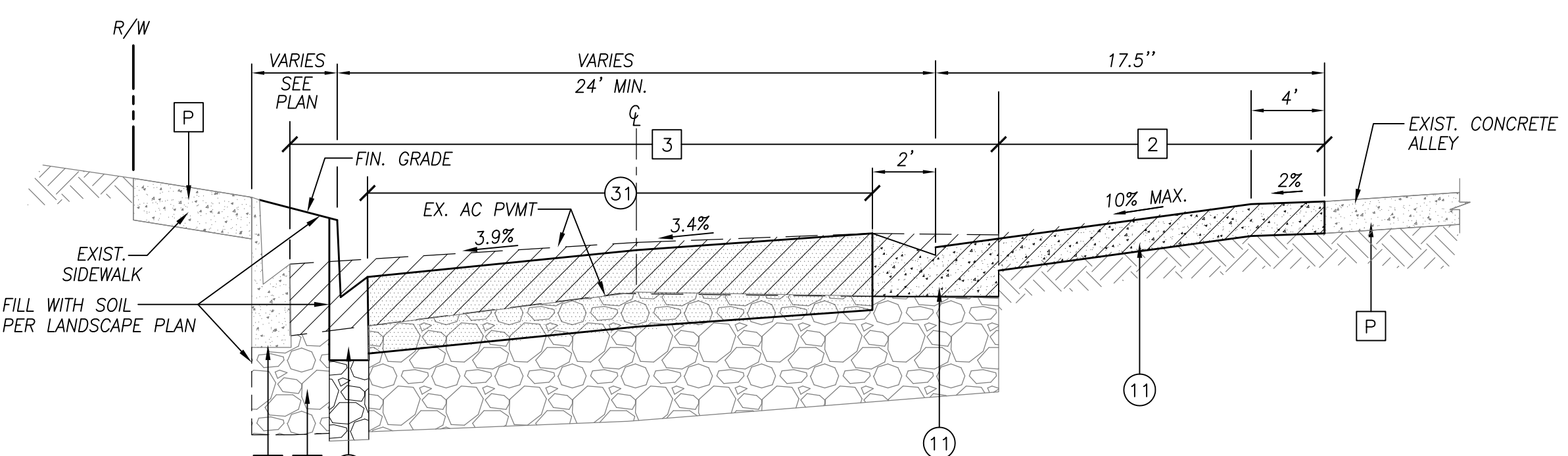
SECTION 'F-F'
N.T.S.



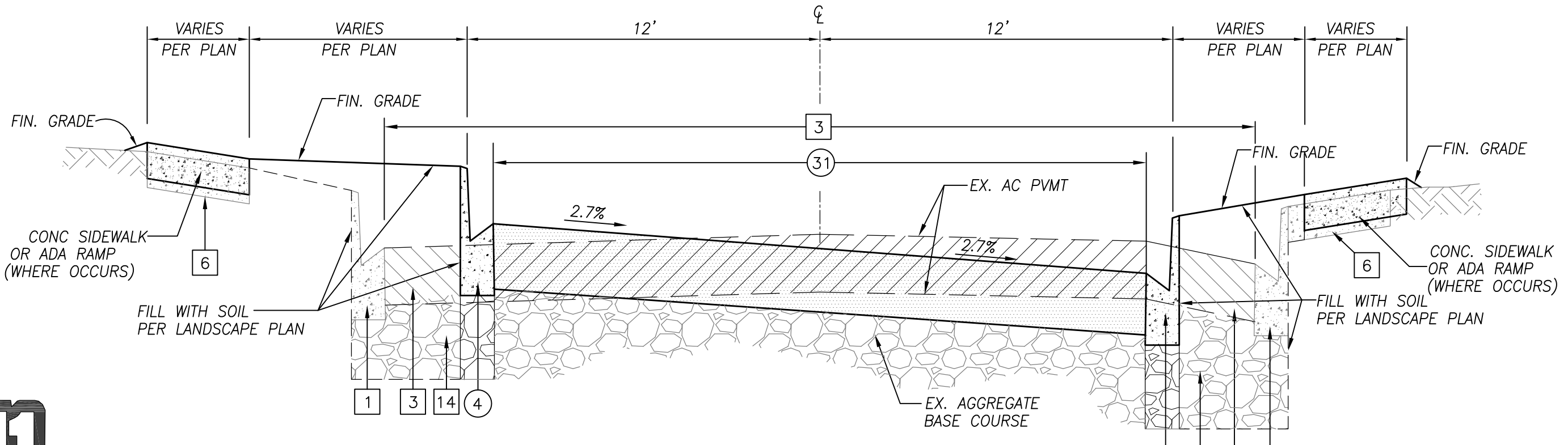
SECTION 'G-G'
N.T.S.



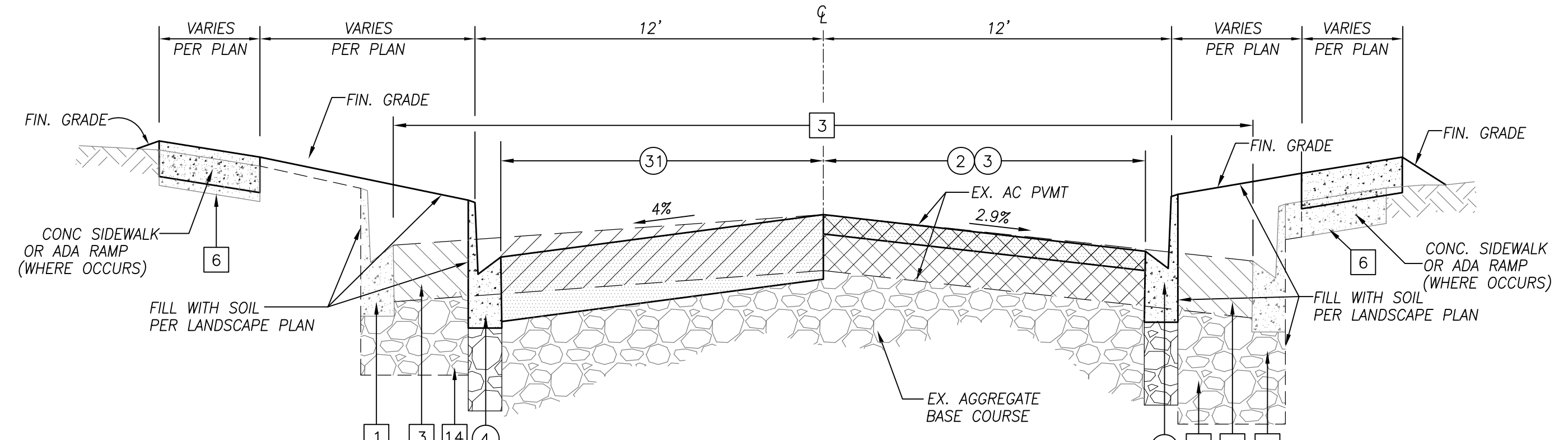
SECTION 'H-H'
N.T.S.



SECTION 'I-I'
N.T.S.



SECTION 'J-J'
N.T.S.



SECTION 'K-K'
N.T.S.

- CONSTRUCTION NOTES**
- 1 REMOVE AND CONSTRUCT 3' WIDE AC SLOT PAVEMENT FULL DEPTH, 6" DEEP AC WITH TOP 2" THICK ASPHALT RUBBER HOT MIX (ARHM) OVERLAY
 - 2 COLD MILL 2" THICK MIN. EXISTING PAVEMENT SURFACE
 - 3 CONSTRUCT 2" THICK MIN. ASPHALT RUBBER HOT MIX (ARHM) OVERLAY
 - 4 CONSTRUCT 6" CURB & GUTTER, TYPE "C-6" (W=18"), OVER 6" CMB PER CITY OF COSTA MESA STD. DWG. NO. 312
 - 5 CONSTRUCT 8" CURB & GUTTER TYPE "C-8" (W=24"), OVER 6" CMB PER CITY OF COSTA MESA STD. DWG. NO. 312
 - 6 CONSTRUCT 8" MEDIAN CURB, PER SPPWC STD. PLAN 120-2, A1-B(200)
 - 7 CONSTRUCT 4" THICK PCC SIDEWALK OVER 4" CMB PER CITY OF COSTA MESA STD. DRAWING NO. 411
 - 9 CONSTRUCT CROSS GUTTER PER CITY OF COSTA MESA STD. DWG. NO. 415
 - 11 CONSTRUCT DRIVEWAY, TYPE "C", PER SPPWC STD. PLAN 110-2
 - 13 CONSTRUCT LOCAL DEPRESSION PER CITY OF COSTA MESA STD. DWG. NO. 315
 - 14 CONSTRUCT PARKWAY DRAIN PER SPPWC STD. PLAN 151-2, (MODIFIED)
 - 31 CONSTRUCT 6" DEEP A.C. WITH TOP 2" THICK ASPHALT RUBBER HOT MIX (ARHM) OVERLAY

- REMOVAL NOTES**
- 1 REMOVE AND DISPOSE EXISTING CURB & GUTTER
 - 2 REMOVE AND DISPOSE EXISTING CONCRETE DRIVEWAY
 - 3 REMOVE AND DISPOSE EXISTING ROADWAY SECTION
 - 4 REMOVE AND DISPOSE EXISTING MEDIAN CURB
 - 5 REMOVE AND SALVAGE EXISTING PAVER BLOCK
 - 6 REMOVE AND DISPOSE EXISTING CONCRETE SIDEWALK
 - 8 REMOVE AND DISPOSE PORTION OF EXISTING CROSS-GUTTER
 - 14 REMOVE EXISTING MISCELLANEOUS BASE

- DISPOSITION NOTES**
- P PROTECT IN PLACE

PLANS PREPARED BY:
CivilSource
9890 IRVINE CENTER DRIVE
IRVINE, CA 92618
TEL (949) 585-0477
FAX (949) 585-0433
WWW.CIVIL-SOURCE.COM

CALL TOLL FREE
811
Know what's below.
Call two working before you dig.
Underground Service Alert

REVISIONS		
NO.	DATE	DESCRIPTION

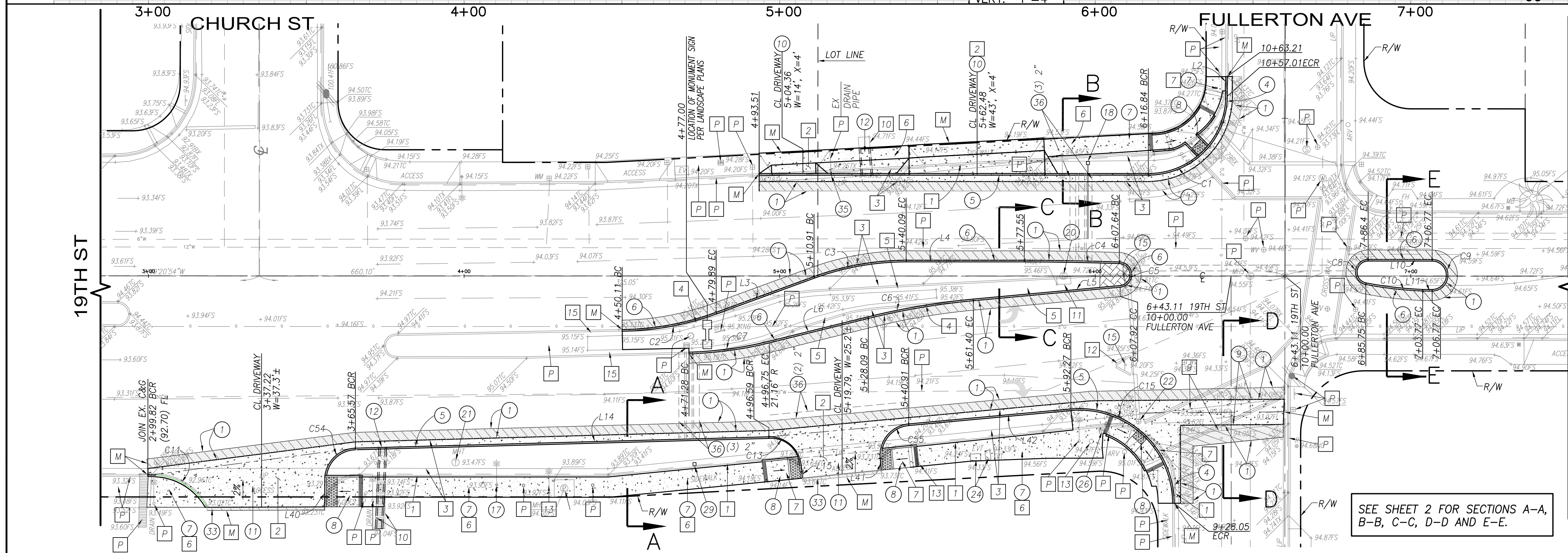
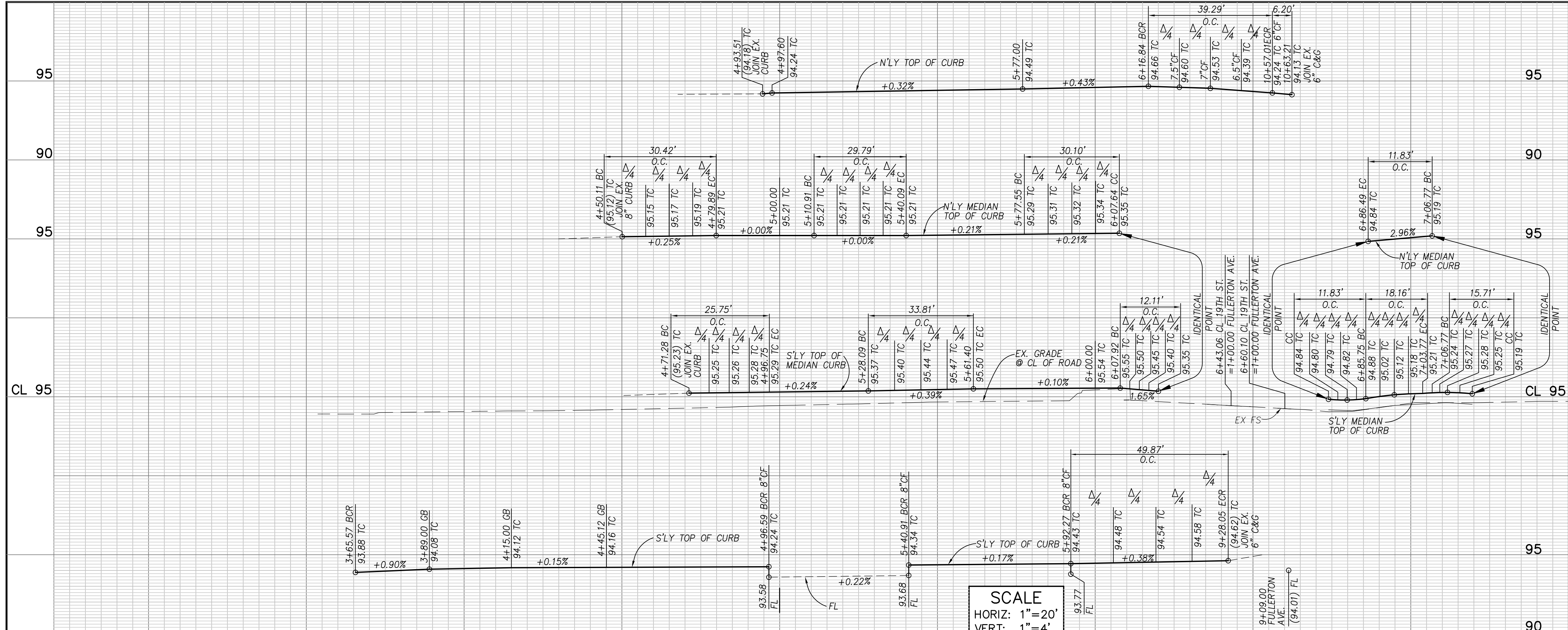
CONTRACTOR	LIC #
DATE OF CONSTRUCTION	BEGIN
DATE OF CONSTRUCTION	END
DATE ACCEPTED BY CITY COUNCIL	

REFERENCES	SEE INDIVIDUAL SHEETS
------------	-----------------------

DESIGNED BY:	DATE	CHECKED BY:	DATE
DRAWN BY:	AUG 2015	STEVEN SCHAPPEL	AUG 2015
RECOMMENDED BY:		APPROVED BY:	
APPROVED BY:	BALTAZAR MEJIA, CITY ENGINEER R.C.E. #50330		



EAST 19TH STREET TRAFFIC IMPROVEMENTS
SECTIONS AND DETAILS
CITY OF COSTA MESA



CONSTRUCTION NOTES

- 1 REMOVE AND CONSTRUCT 3' WIDE AC SLOT PAVEMENT FULL DEPTH, 6" DEEP AC WITH TOP 2" THICK ASPHALT RUBBER HOT MIX (ARHM) OVERLAY
- 4 CONSTRUCT 6" CURB & GUTTER, TYPE "C-6" (W=18"), OVER 6" CMB PER CITY OF COSTA MESA STD. DWG. NO. 312
- 5 CONSTRUCT 8" CURB & GUTTER TYPE "C-8" (W=24"), OVER 6" CMB PER CITY OF COSTA MESA STD. DWG. NO. 312
- 6 CONSTRUCT 8" MEDIAN CURB, PER SPPWC STD. PLAN 120-2, A1-8(200)
- 7 CONSTRUCT 4" THICK PCC SIDEWALK OVER 4" CMB PER CITY OF COSTA MESA STD. DRAWING NO. 411
- 8 CONSTRUCT CURB RAMP PER CALTRANS STD. PLAN RSP ABBA
- 9 CONSTRUCT CROSS GUTTER PER CITY OF COSTA MESA STD. DWG. NO. 415
- 10 CONSTRUCT DRIVEWAY APPROACH TYPE 1 PER CITY OF COSTA MESA STD. DWG. NO. 513
- 11 CONSTRUCT DRIVEWAY, TYPE "C", PER SPPWC STD. PLAN 110-2
- 12 CONSTRUCT PARKWAY DRAIN 1 (MODIFIED) PER CITY OF COSTA MESA STD. DWG. NO. 417
- 15 RELOCATE EXISTING STREET SIGN
- 16 RELOCATE EXISTING MAIL BOX
- 17 RELOCATE EXISTING STREET LIGHT
- 18 INSTALL WATER SERVICE AND METER PER MESA WATER DISTRICT STD. DWG. #1 TRENCH DET. PER CITY OF COSTA MESA STD. DWG. NO. 813. SIZE PER L.S. PLAN
- 20 ADJUST TO GRADE EXISTING SEWER MANHOLE
- 21 ADJUST TO GRADE EXISTING TELEPHONE MANHOLE (BY TEL. COMPANY)
- 22 ADJUST TO GRADE EXISTING WATER VALVE
- 24 ADJUST TO GRADE EXISTING TV/CABLE BOX (CABLE COMPANY)
- 25 ADJUST TO GRADE EXISTING ELECTRIC MANHOLE (BY ELECTRIC COMPANY)
- 26 ADJUST TO GRADE EXISTING ELECTRIC PULL BOX (BY ELECTRIC COMPANY)
- 29 INSTALL IRRIGATION CONTROLLER PER LANDSCAPE PLAN
- 33 REMOVE AND CONSTRUCT 12" WIDE AC SLOT PAVEMENT FULL DEPTH, (MIN 6" DEEP AC), RECOMPACT EXISTING BASE COURSE
- 35 INSTALL 4" PVC SCH 40 DRAIN PIPE (JOIN EXISTING DRAIN PIPE)
- 36 INSTALL SLEEVES AS SHOWN ON THIS PLAN AND ON LANDSCAPE/IRRIGATION PLANS (NUMBER AND SIZE OF SLEEVES PER PLAN)

DISPOSITION NOTES

- M MATCH/JOIN EXISTING
- P PROTECT IN PLACE

REMOVAL NOTES

- 1 REMOVE AND DISPOSE EXISTING CURB & GUTTER
- 2 REMOVE AND DISPOSE EXISTING CONCRETE DRIVEWAY
- 3 REMOVE AND DISPOSE EXISTING ROADWAY SECTION
- 4 REMOVE AND DISPOSE EXISTING MEDIAN CURB
- 5 REMOVE AND SALVAGE EXISTING PAVER BLOCK
- 6 REMOVE AND DISPOSE EXISTING CONCRETE SIDEWALK
- 7 REMOVE AND DISPOSE EXISTING CONCRETE CURB RAMP
- 9 REMOVE AND DISPOSE EXISTING CROSS-GUTTER
- 10 REMOVE AND DISPOSE EXISTING PARKWAY DRAIN
- 11 REMOVE AND DISPOSE EXISTING SMH ACCESS
- 12 REMOVE AND DISPOSE EXISTING CONC. BUMPERS
- 13 REMOVE EXISTING STREET LIGHT/POWER POLE AND DELIVER TO CITY YARD. COORDINATE WITH THE CITY PRIOR TO REMOVAL.
- 15 REMOVE PORTION OF EXISTING MOW STRIP

SEGMENT	LENGTH	RADIUS	TANGENT	DELTA
C1	39.29	25.00	25.02	90°02'36"
C2	30.42	90.00	15.36	19°22'06"
C3	29.79	85.00	15.05	20°04'52"
C4	30.10	965.46	15.05	1°47'10"
C5	12.11	4.00	69.66	173°25'38"
C6	33.81	225.00	16.94	8°36'32"
C7	25.64	120.00	12.92	12°17'41"
C8	11.83	4.00	43.10	169°23'41"
C9	15.71	5.00	-	180°00'15"
C10	18.16	119.18	9.10	8°43'51"
C11	19.97	20.00	10.91	57°13'04"
C13	15.06	10.00	9.37	86°17'48"
C15	49.87	30.00	32.88	95°14'45"
C54	14.58	10.00	8.93	83°33'05"
C55	15.71	10.00	10.00	90°00'00"

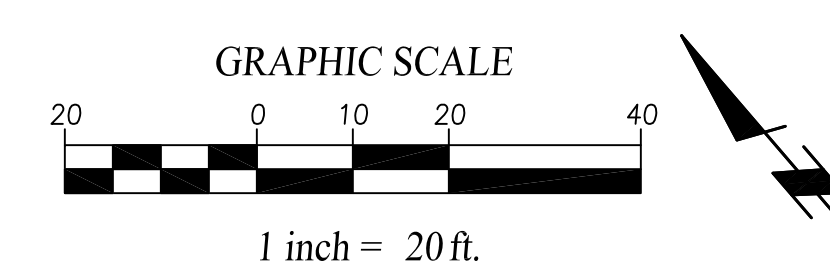
SEGMENT	LENGTH	DIRECTION
L1	122.25	N49° 22' 23"W
L2	6.20	N40° 17' 08"E
L3	33.03	N69° 25' 45"W
L4	37.45	N49° 20' 54"W
L5	46.72	S54° 37' 14"E
L6	32.28	S63° 13' 46"E
L7	1.74	N39° 28' 01"E
L8	21.02	S50° 31' 59"E
L9	6.34	S39° 28' 01"W
L10	20.29	N49° 20' 54"W
L11	3.00	S49° 20' 54"E
L12	2.52	N45° 55' 11"W
L14	131.07	N50° 56' 05"W
L15	4.04	N35° 21' 43"E
L40	9.45	S40° 51' 26"W
L41	3.80	N35° 22' 43"E
L42	57.06	N54° 37' 17"W

PLANS PREPARED BY:
CivilSource
 9890 IRVINE CENTER DRIVE
 IRVINE, CA 92618
 TEL (949) 555-0477
 FAX (949) 555-0433
 WWW.CIVIL-SOURCE.COM

CALL TOLL FREE
811
 Know what's below. Call two working before you dig. Underground Service Alert.

AMIREH AMIRANI
 CIVIL ENGINEER
 LICENSE NO. 34283

- NOTES:**
- UNLESS OTHERWISE NOTED, ALL EXISTING TREES SHALL REMAIN AND BE PROTECTED IN PLACE.
 - ALL EXISTING IMPROVEMENTS, HARDSCAPE, LAWN, IRRIGATION SYSTEM, FENCE, WALLS, ETC., DAMAGED DURING CONSTRUCTION SHALL BE RESTORED TO ORIGINAL CONDITION AT NO COST TO THE OWNER OR CITY.



NO.	DATE	DESCRIPTION	APP.

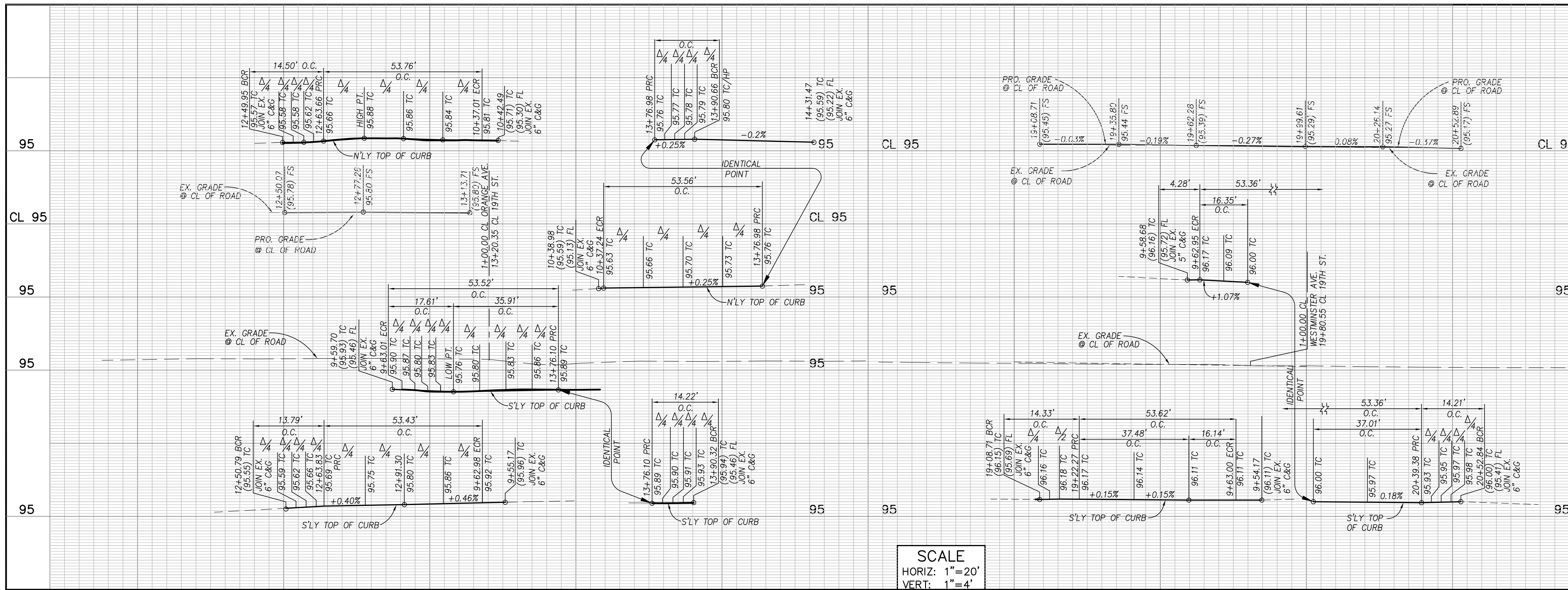
CONTRACTOR	LIC #	DESIGNED BY:	DATE	CHECKED BY:	DATE
		CS	AUG 2015	STEVEN SCHAPEL	AUG 2015
		DRAWN BY:		APPROVED BY:	
		CS	AUG 2015		
		RECOMMENDED BY:		REC. BY:	
		APPROVED BY:			

REFERENCES
SEE INDIVIDUAL SHEETS

REGISTERED PROFESSIONAL ENGINEER
 No. 34283
Amy Amiri
 CIVIL ENGINEER
 STATE OF CALIFORNIA



EAST 19TH STREET TRAFFIC IMPROVEMENTS
 19TH ST. AT CHURCH ST. AND FULLERTON AVE.
 PLAN



SCALE
HORIZ: 1"=20'
VERT: 1"=4'

CONSTRUCTION NOTES

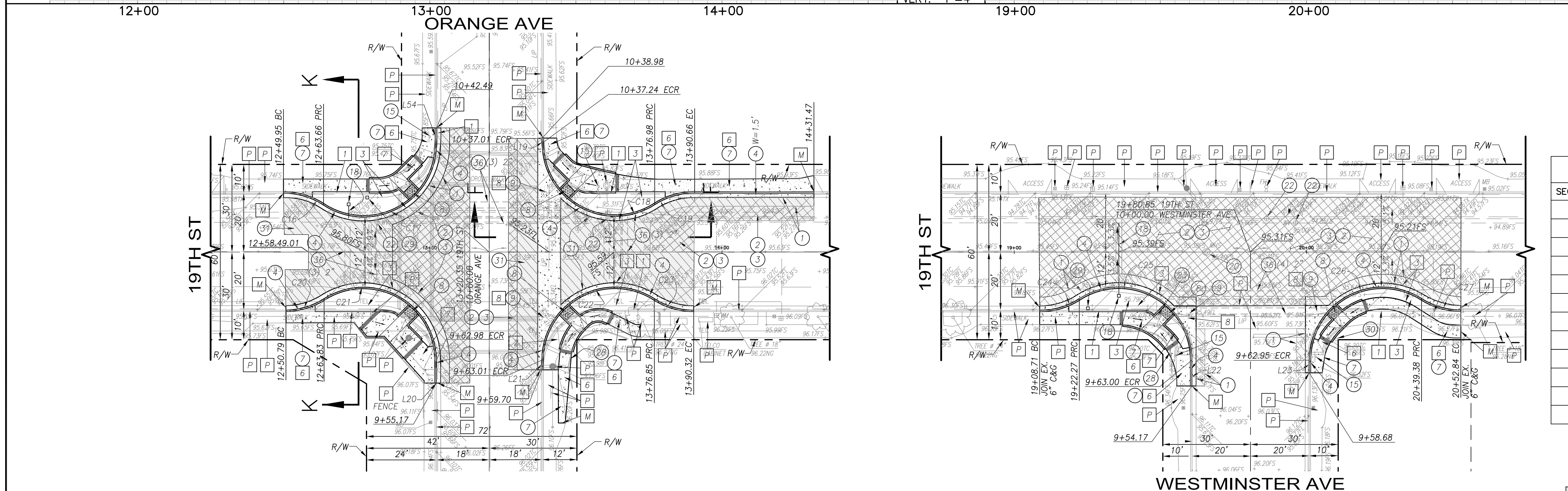
- 1 REMOVE AND CONSTRUCT 3" WIDE AC SLOT PAVEMENT FULL DEPTH, 6" DEEP AC WITH TOP 2" THICK ASPHALT RUBBER HOT MIX (ARHM) OVERLAY
- 2 COLD MILL 2" THICK MIN. EXISTING PAVEMENT SURFACE
- 3 CONSTRUCT 2" THICK MIN. ASPHALT RUBBER HOT MIX (ARHM) OVERLAY
- 4 CONSTRUCT 6" CURB & GUTTER, TYPE "C-6" (W=18"), OVER 6" CMB PER CITY OF COSTA MESA STD. DWG. NO. 312
- 7 CONSTRUCT 4" THICK PCC SIDEWALK OVER 4" CMB PER CITY OF COSTA MESA STD. DRAWING NO. 411
- 8 CONSTRUCT CURB RAMP PER CALTRANS STD. PLAN RSP AB8A
- 9 CONSTRUCT CROSS GUTTER PER CITY OF COSTA MESA STD. DWG. NO. 415
- 15 RELOCATE EXISTING STREET SIGN
- 18 INSTALL WATER SERVICE AND METER PER MESA WATER DISTRICT STD. DWG. #1 TRENCH DET. PER CITY OF COSTA MESA STD. DWG. NO. 813. SIZE PER L.S. PLAN
- 20 ADJUST TO GRADE EXISTING SEWER MANHOLE
- 22 ADJUST TO GRADE EXISTING WATER VALVE
- 23 ADJUST TO GRADE EXISTING WATER METER
- 28 REMOVE AND RELOCATE EXIST. FENCE (AS NEEDED), COORDINATE WITH THE CITY PRIOR TO REMOVAL
- 29 INSTALL IRRIGATION CONTROLLER PER LANDSCAPE PLAN
- 30 REMOVE AND RELOCATE EXIST. CLOCK (AS NEEDED)
- 31 CONSTRUCT 6" DEEP A.C. WITH TOP 2" THICK ASPHALT RUBBER HOT MIX (ARHM) OVERLAY
- 36 INSTALL SLEEVES AS SHOWN ON THIS PLAN AND ON LANDSCAPE/IRRIGATION PLANS (NUMBER AND SIZE OF SLEEVES PER PLAN)

REMOVAL NOTES

- 1 REMOVE AND DISPOSE EXISTING CURB & GUTTER
- 3 REMOVE AND DISPOSE EXISTING ROADWAY SECTION
- 6 REMOVE AND DISPOSE EXISTING CONCRETE SIDEWALK
- 7 REMOVE AND DISPOSE EXISTING CONCRETE CURB RAMP
- 8 REMOVE AND DISPOSE PORTION OF EXISTING CROSS-GUTTER

DISPOSITION NOTES

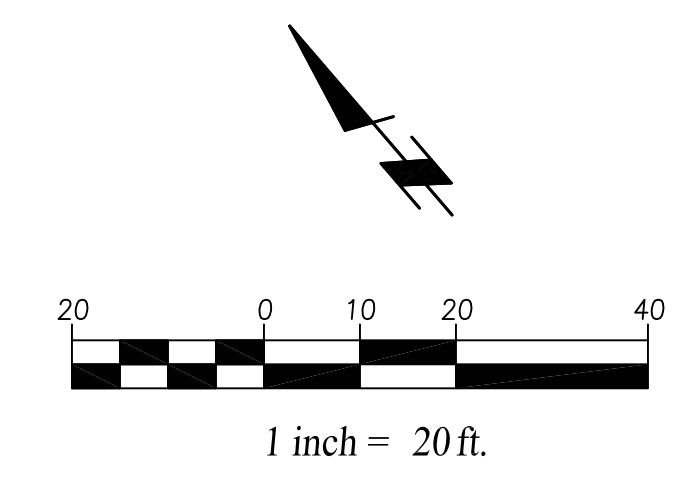
- M MATCH/JOIN EXISTING
- P PROTECT IN PLACE



CURVE DATA				
SEGMENT	LENGTH	RADIUS	TANGENT	DELTA
C16	14.50	25.00	7.46	33°14'20"
C17	53.76	25.00	46.24	123°12'30"
C18	53.56	25.00	45.80	122°44'41"
C19	14.44	25.00	7.43	33°05'42"
C20	13.79	25.00	7.08	31°36'45"
C21	53.43	25.00	45.53	122°27'19"
C22	53.52	25.00	45.71	122°38'54"
C23	14.22	25.00	7.31	32°35'59"
C24	14.33	25.00	7.37	32°50'14"
C25	53.62	25.00	45.93	122°52'40"
C26	53.36	25.00	45.37	122°17'20"
C27	14.21	25.00	7.30	32°33'56"

LINE DATA		
SEGMENT	LENGTH	DIRECTION
L19	1.73	N40° 38' 09"E
L20	7.81	N40° 33' 07"E
L21	3.31	N40° 38' 15"E
L22	8.83	S40° 40' 30"W
L23	4.28	S40° 49' 47"W
L54	5.49'	N20° 38' 56"E

- FULL DEPTH AC
- COLD MILL
- ASPHALT RUBBER HOT MIX OVERLAY (ARHM)



PLANS PREPARED BY:
CivilSource
8990 IRVINE CENTER DRIVE
IRVINE, CA 92618
TEL (949) 555-0477
FAX (949) 555-0433



NOTES:
1. UNLESS OTHERWISE NOTED, ALL EXISTING TREES SHALL REMAIN AND BE PROTECTED IN PLACE.
2. ALL EXISTING IMPROVEMENTS, HARDSCAPE, LAWNS, IRRIGATION SYSTEM, FENCE, WALLS, ETC., DAMAGED DURING CONSTRUCTION SHALL BE RESTORED TO ORIGINAL CONDITION AT NO COST TO THE OWNER OR CITY.

SEE SHEET 2 FOR SECTION F-F AND K-K

REVISIONS		
NO.	DATE	DESCRIPTION

CONTRACTOR	LIC #

DATE OF CONSTRUCTION	BEG.	END

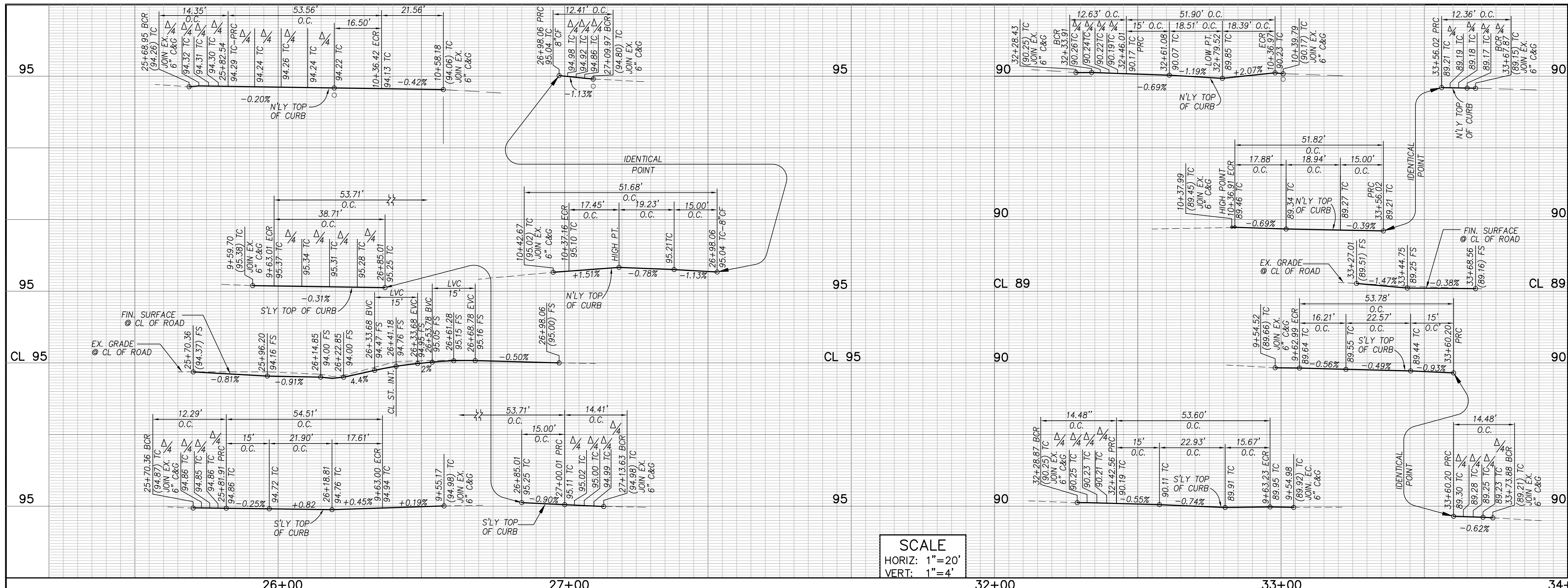
DATE ACCEPTED BY CITY COUNCIL

DESIGNED BY:	DATE	CHECKED BY:	DATE
CS	AUG 2015	STEVEN SCHAPPEL	
DRAWN BY:	DATE	APPROVED BY:	
CS	AUG 2015		
RECOMMENDED BY:		REC. BY:	
APPROVED BY:			



EAST 19TH STREET TRAFFIC IMPROVEMENTS
19TH ST. AT ORANGE AND WESTMINSTER AVE.
PLAN AND PROFILE
CITY OF COSTA MESA

4 of 32
PLAN NUMBER
C-4



CONSTRUCTION NOTES

- 1 REMOVE AND CONSTRUCT 3' WIDE AC SLOT PAVEMENT FULL DEPTH, 6" DEEP AC WITH TOP 2" THICK ASPHALT RUBBER HOT MIX (ARHM) OVERLAY
- 2 COLD MILL 2" THICK MIN. EXISTING PAVEMENT SURFACE
- 3 CONSTRUCT 2" THICK MIN. ASPHALT RUBBER HOT MIX (ARHM) OVERLAY
- 4 CONSTRUCT 6" CURB & GUTTER, TYPE "C-6" (W=18"), OVER 6" CMB PER CITY OF COSTA MESA STD. DWG. NO. 312
- 7 CONSTRUCT 4" THICK PCC SIDEWALK OVER 4" CMB PER CITY OF COSTA MESA STD. DRAWING NO. 411
- 8 CONSTRUCT CURB RAMP PER CALTRANS STD. PLAN RSP AB8A
- 9 CONSTRUCT CROSS GUTTER PER CITY OF COSTA MESA STD. DWG. NO. 415
- 10 CONSTRUCT DRIVEWAY APPROACH TYPE 1 PER CITY OF COSTA MESA STD. DWG. NO. 5
- 15 RELOCATE EXISTING STREET SIGN
- 16 RELOCATE EXISTING MAIL BOX
- 18 INSTALL WATER SERVICE AND METER PER MESA WATER DISTRICT STD. DWG. #1 TRENCH DET. PER CITY OF COSTA MESA STD. DWG. NO. 813. SIZE PER L.S. PLAN
- 20 ADJUST TO GRADE EXISTING SEWER MANHOLE
- 22 ADJUST TO GRADE EXISTING WATER VALVE
- 23 ADJUST TO GRADE EXISTING WATER METER
- 28 REMOVE AND RELOCATE EXIST. FENCE (AS NEEDED), COORDINATE WITH THE CITY PRIOR TO REMOVAL
- 29 INSTALL IRRIGATION CONTROLLER PER LANDSCAPE PLAN
- 31 CONSTRUCT 6" DEEP A.C. WITH TOP 2" THICK ASPHALT RUBBER HOT MIX (ARHM) OVERLAY
- 36 INSTALL SLEEVES AS SHOWN ON THIS PLAN AND ON LANDSCAPE/IRRIGATION PLANS (NUMBER AND SIZE OF SLEEVES PER PLAN)

REMOVAL NOTES

- 1 REMOVE AND DISPOSE EXISTING CURB & GUTTER
- 2 REMOVE AND DISPOSE EXISTING CONCRETE DRIVEWAY
- 3 REMOVE AND DISPOSE EXISTING ROADWAY SECTION
- 6 REMOVE AND DISPOSE EXISTING CONCRETE SIDEWALK
- 7 REMOVE AND DISPOSE EXISTING CONCRETE CURB RAMP
- 8 REMOVE AND DISPOSE PORTION OF EXISTING CROSS-GUTTER

DISPOSITION NOTES

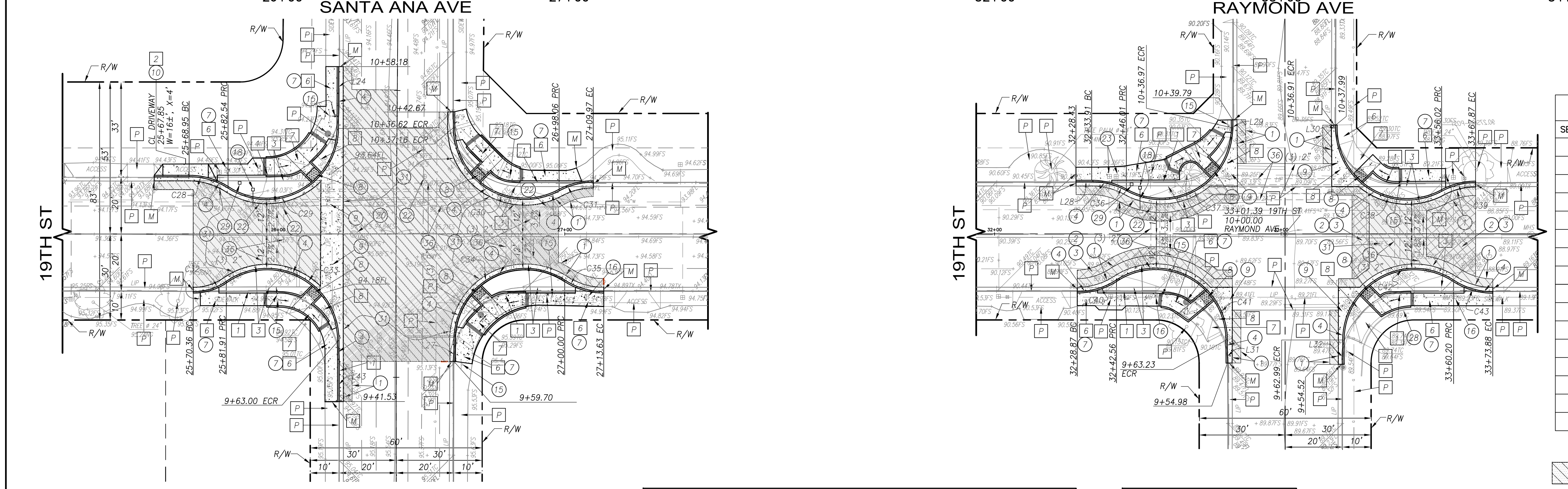
- M MATCH/JOIN EXISTING
- P PROTECT IN PLACE

PARCEL CURVE DATA

SEGMENT	LENGTH	RADIUS	TANGENT	DELTA
C28	14.35	25.00	7.38	32°53'11"
C29	53.36	25.00	45.38	122°18'13"
C30	51.68	25.00	41.97	118°26'00"
C31	12.41	25.00	6.33	28°26'08"
C32	12.29	20.00	6.34	35°12'03"
C33	54.51	25.00	47.96	124°56'04"
C34	53.71	25.00	46.14	123°06'16"
C35	14.41	25.00	7.41	33°01'53"
C36	12.63	25.00	6.45	28°56'48"
C37	51.90	25.00	42.40	118°56'48"
C38	51.82	25.00	42.24	118°45'51"
C39	12.36	25.00	6.31	28°19'45"
C40	14.48	25.00	7.45	33°10'59"
C41	53.60	25.00	45.89	122°50'05"
C42	53.78	25.00	46.28	123°14'54"
C43	14.48	25.00	7.45	33°10'30"

LINE DATA

SEGMENT	LENGTH	DIRECTION
L28	5.48	N49° 30' 44"W
L29	2.82	N40° 39' 02"E
L30	1.08	N40° 52' 20"E
L31	8.24	N40° 18' 26"E
L32	8.48	S40° 38' 42"W
L24	21.56	N40° 46' 32"E
L25	5.51	S40° 39' 21"W
L27	7.48	S40° 39' 21"E
L43	21.47	N40° 38' 30"E



NOTES:
 1. UNLESS OTHERWISE NOTED, ALL EXISTING TREES SHALL REMAIN AND BE PROTECTED IN PLACE.
 2. ALL EXISTING IMPROVEMENTS, HARDSCAPE, LAWNS, IRRIGATION SYSTEM, FENCE, WALLS, ETC., DAMAGED DURING CONSTRUCTION SHALL BE RESTORED TO ORIGINAL CONDITION AT NO COST TO THE OWNER OR CITY.

SEE SHEET 2 FOR SECTION J-J

PLANS PREPARED BY:

 9890 IRVINE CENTER DRIVE
 IRVINE, CA 92618
 TEL (949) 585-0477
 FAX (949) 585-0433
 WWW.CIVIL-SOURCE.COM

CALL TOLL FREE

 Know what's below.
 Call two working before you dig.
 Underground Service Alert

REVISIONS		
NO.	DATE	DESCRIPTION

CONTRACTOR	LIC #

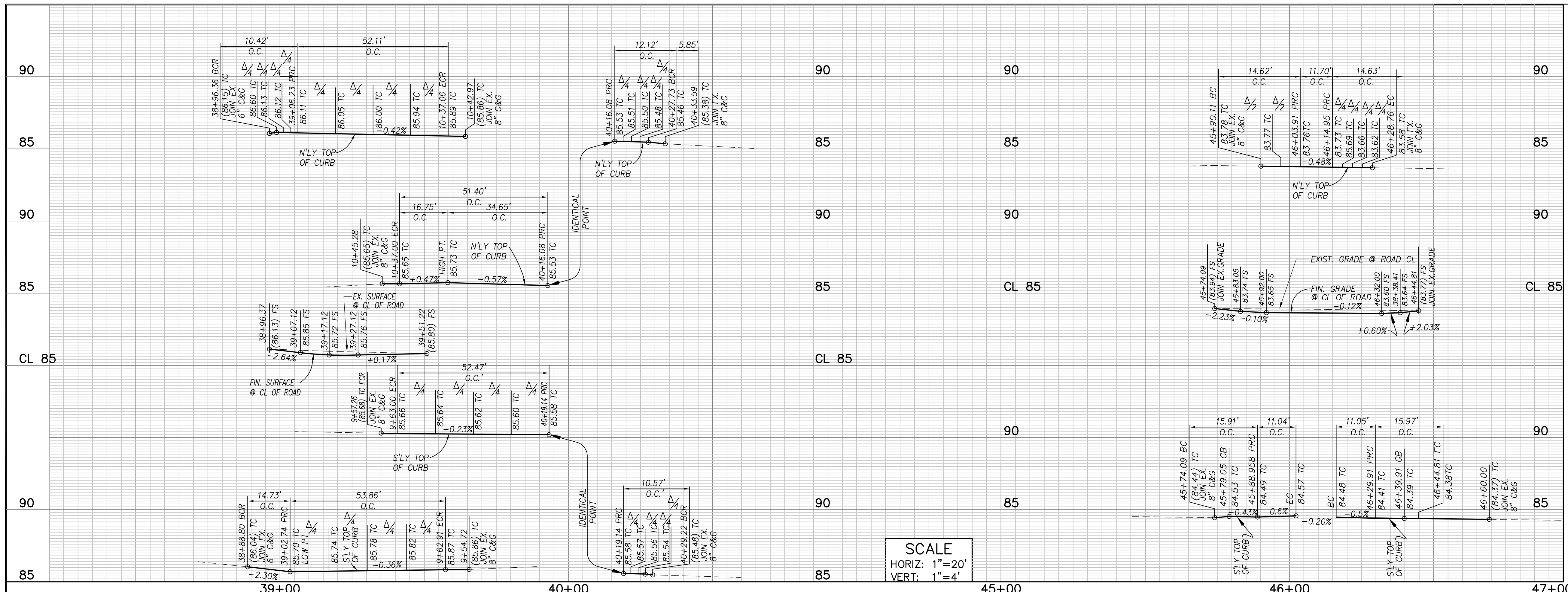
REFERENCES
SEE INDIVIDUAL SHEETS

DESIGNED BY:	DATE	CHECKED BY:	DATE
CS	AUG 2015	STEVEN SCHAPPEL	AUG 2015
DRAWN BY:	DATE	APPROVED BY:	DATE
CS	AUG 2015		
RECOMMENDED BY:	DATE	REC. BY:	DATE
APPROVED BY:	DATE		

REGISTERED PROFESSIONAL ENGINEER
 AMIREH AMIRANI
 No. 34283
 CIVIL
 STATE OF CALIFORNIA
 P.E. SEAL

EAST 19TH STREET TRAFFIC IMPROVEMENTS
 19TH ST. AT SANTA ANA AND RAYMOND AVE.
 PLAN AND PROFILE
CITY OF COSTA MESA

5 of 32
 PLAN NUMBER
 C-5

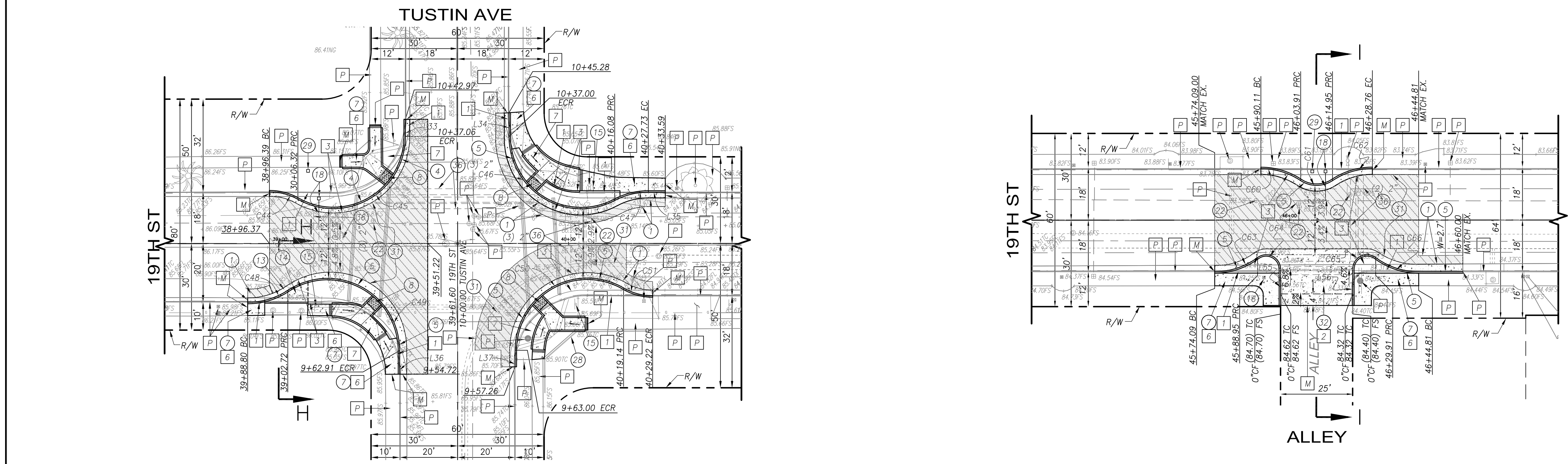


- ### CONSTRUCTION NOTES
- REMOVE AND CONSTRUCT 3" WIDE AC SLOT PAVEMENT FULL DEPTH, 6" DEEP AC WITH TOP 2" THICK ASPHALT RUBBER HOT MIX (ARHM) OVERLAY
 - CONSTRUCT 8" CURB & GUTTER TYPE "C-8" (W=24"), OVER 6" CMB PER CITY OF COSTA MESA STD. DWG. NO. 312
 - CONSTRUCT 4" THICK PCC SIDEWALK OVER 4" CMB PER CITY OF COSTA MESA STD. DRAWING NO. 411
 - CONSTRUCT CURB RAMP PER CALTRANS STD. PLAN RSP AB8A
 - CONSTRUCT DRIVEWAY, TYPE "C", PER SPPWC STD. PLAN 110-2
 - CONSTRUCT LOCAL DEPRESSION PER CITY OF COSTA MESA STD. DWG. NO. 315
 - CONSTRUCT PARKWAY DRAIN PER SPPWC STD. PLAN 151-2, (MODIFIED)
 - RELOCATE EXISTING STREET SIGN
 - RELOCATE EXISTING MAIL BOX
 - INSTALL WATER SERVICE AND METER PER MESA WATER DISTRICT STD. DWG. #1 TRENCH DET. PER CITY OF COSTA MESA STD. DWG. NO. 813. SIZE PER L.S. PLAN
 - ADJUST TO GRADE EXISTING WATER VALVE
 - REMOVE AND RELOCATE EXIST. FENCE (AS NEEDED), COORDINATE WITH THE CITY PRIOR TO REMOVAL
 - INSTALL IRRIGATION CONTROLLER PER LANDSCAPE PLAN
 - CONSTRUCT 6" DEEP A.C. WITH TOP 2" THICK ASPHALT RUBBER HOT MIX (ARHM) OVERLAY
 - CONSTRUCT ALLEY INTERSECTION PER SPPWC STD. PLAN 130-2
 - INSTALL SLEEVES AS SHOWN ON THIS PLAN AND ON LANDSCAPE/IRRIGATION PLANS (NUMBER AND SIZE OF SLEEVES PER PLAN)

- ### REMOVAL NOTES
- REMOVE AND DISPOSE EXISTING CURB & GUTTER
 - REMOVE AND DISPOSE EXISTING CONCRETE DRIVEWAY
 - REMOVE AND DISPOSE EXISTING ROADWAY SECTION
 - REMOVE AND DISPOSE EXISTING CONCRETE SIDEWALK
 - REMOVE AND DISPOSE EXISTING CONCRETE CURB RAMP

- ### DISPOSITION NOTES
- M MATCH/JOIN EXISTING
 - P PROTECT IN PLACE

SCALE
HORIZ: 1" = 20'
VERT: 1" = 4'



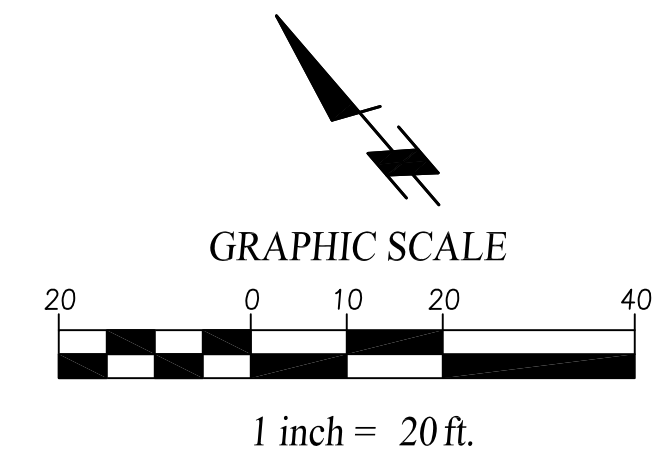
CURVE DATA

SEGMENT	LENGTH	RADIUS	TANGENT	DELTA
C44	10.32	20.00	5.28	29°34'24"
C45	52.11	25.00	42.80	119°25'08"
C46	51.40	25.00	41.45	117°48'22"
C47	12.12	25.00	6.18	27°46'58"
C48	14.73	25.00	7.58	33°45'20"
C49	53.86	25.00	46.47	123°26'18"
C50	52.47	25.00	43.53	120°15'32"
C51	10.57	20.00	5.41	30°16'36"
C60	14.62	25.00	7.52	33°29'57"
C61	11.70	10.00	6.62	67°01'45"
C62	14.63	25.00	7.53	33°31'48"
C63	15.91	25.00	8.24	36°28'13"
C64	11.04	5.00	9.91	126°28'13"
C65	11.05	5.00	9.94	126°35'57"
C66	15.97	25.00	8.27	36°35'57"

LINE DATA

SEGMENT	LENGTH	DIRECTION
L33	5.98	N40° 31' 33"E
L34	8.27	N40° 37' 21"E
L35	5.85	S49° 22' 14"E
L36	8.19	N40° 36' 46"E
L37	5.74	N40° 40' 47"E
L55	12.58	N40° 38' 23"E
L56	12.59	N40° 38' 23"E

- FULL DEPTH AC
- COLD MILL
- ASPHALT RUBBER HOT MIX OVERLAY (ARHM)



PLANS PREPARED BY:
CivilSource
9890 IRVINE CENTER DRIVE
IRVINE, CA 92618
TEL (949) 585-0477
FAX (949) 585-0433



NOTES:
1. UNLESS OTHERWISE NOTED, ALL EXISTING TREES SHALL REMAIN AND BE PROTECTED IN PLACE.
2. ALL EXISTING IMPROVEMENTS, HARDSCAPE, LAWNS, IRRIGATION SYSTEM, FENCE, WALLS, ETC., DAMAGED DURING CONSTRUCTION SHALL BE RESTORED TO ORIGINAL CONDITION AT NO COST TO THE OWNER OR CITY.

SEE SHEET 2 FOR SECTION H-H AND I-I

REVISIONS

NO.	DATE	DESCRIPTION	APP.

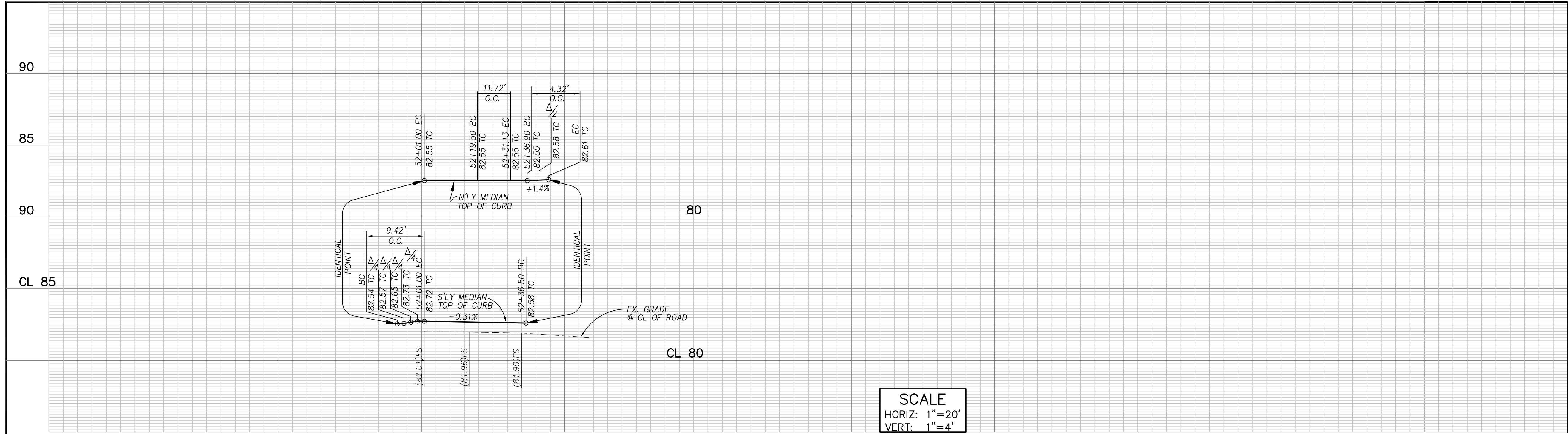
CONTRACTOR	LIC #
REFERENCES	SEE INDIVIDUAL SHEETS
DESIGNED BY:	CS
DATE	AUG 2015
CHECKED BY:	STEVEN SCHAPPEL
APPROVED BY:	
DATE	AUG 2015
RECOMMENDED BY:	
REC. BY:	
APPROVED BY:	
DATE	
DATE OF CONSTRUCTION	
BEG.	
END	
DATE ACCEPTED BY CITY COUNCIL	

DESIGNED BY:	CS
DATE	AUG 2015
CHECKED BY:	STEVEN SCHAPPEL
APPROVED BY:	
DATE	AUG 2015
RECOMMENDED BY:	
REC. BY:	
APPROVED BY:	
DATE	
BALTARZAR MEJIA, ACTING CITY ENGINEER	



EAST 19TH STREET TRAFFIC IMPROVEMENTS
19TH ST. AT TUSTIN AVE & ALLEY
PLAN AND PROFILE
CITY OF COSTA MESA

6 of 32
PLAN NUMBER
C-6



SCALE
 HORIZ: 1"=20'
 VERT: 1"=4'

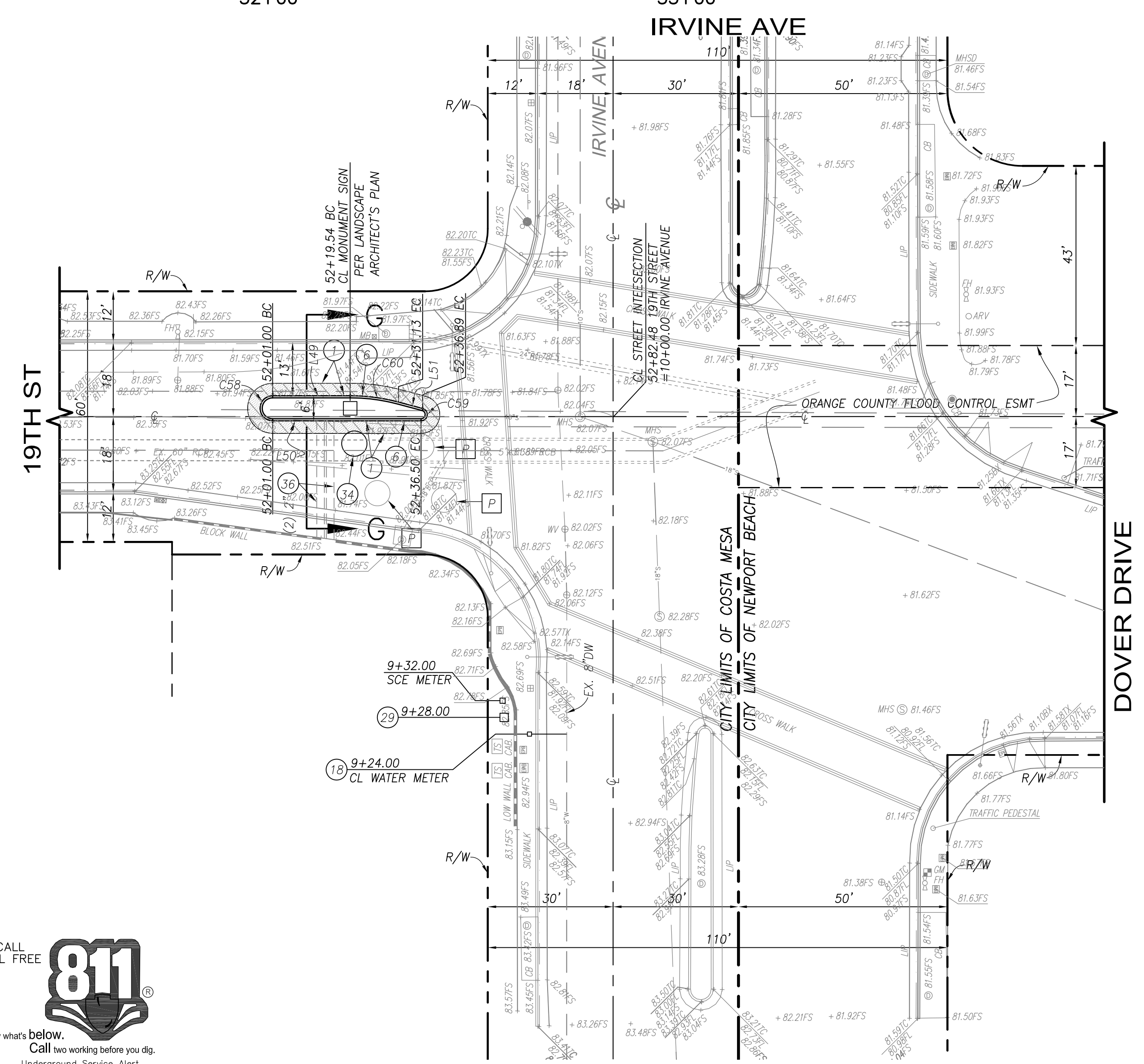
CONSTRUCTION NOTES

- 1 REMOVE AND CONSTRUCT 3" WIDE AC SLOT PAVEMENT FULL DEPTH, 6" DEEP AC WITH TOP 2" THICK ASPHALT RUBBER HOT MIX (ARHM) OVERLAY
- 6 CONSTRUCT 8" MEDIAN CURB, PER SPPWC STD. PLAN 120-2, A1-8(200)
- 18 INSTALL WATER SERVICE AND METER PER MESA WATER DISTRICT STD. DWG. #1 TRENCH DET. PER CITY OF COSTA MESA STD. DWG. NO. 813. SIZE PER L.S. PLAN
- 29 INSTALL IRRIGATION CONTROLLER PER LANDSCAPE PLAN
- 34 INSTALL TYPE E TRAFFIC LOOP PER CALTRANS STD PLAN ES-5B
- 36 INSTALL SLEEVES AS SHOWN ON THIS PLAN AND ON LANDSCAPE/IRRIGATION PLANS (NUMBER AND SIZE OF SLEEVES PER PLAN)

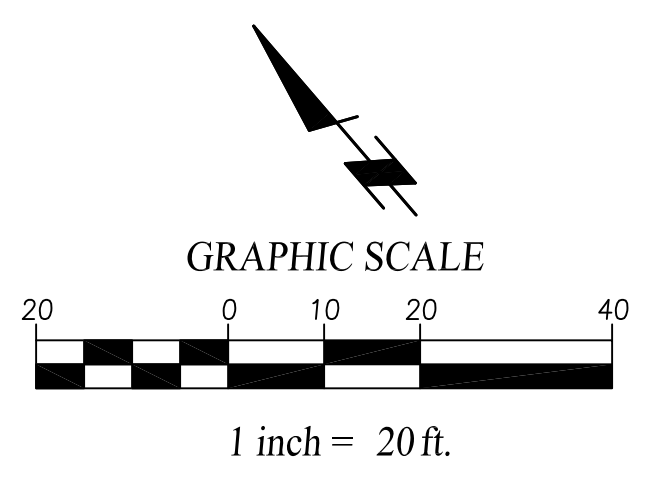
CURVE DATA				
SEGMENT	LENGTH	RADIUS	TANGENT	DELTA
C58	9.42	3.00	INFINITY	180°00'00"
C59	4.32	1.50	11.46	165°05'01"
C60	11.72	45.00	5.89	14°54'59"

LINE DATA		
SEGMENT	LENGTH	DIRECTION
L49	18.54	N49° 20' 50"W
L50	35.50	S49° 20' 50"E
L51	5.96	N34° 25' 52"W

SEE SHEET 2 FOR SECTION G-G



- FULL DEPTH AC
- COLD MILL
- ASPHALT RUBBER HOT MIX OVERLAY (ARHM)



PLANS PREPARED BY:
 CivilSource
 WWW.CIVIL-SOURCE.COM
 9890 IRVINE CENTER DRIVE
 IRVINE, CA 92618
 TEL (949) 585-0477
 FAX (949) 585-0433



REVISIONS		
NO.	DATE	DESCRIPTION

CONTRACTOR	LIC #
DATE OF CONSTRUCTION	BEGIN _____ END _____
DATE ACCEPTED BY CITY COUNCIL	

REFERENCES	SEE INDIVIDUAL SHEETS
------------	-----------------------

DESIGNED BY: CS	DATE AUG 2015	CHECKED BY: STEVEN SCHAPPEL	DATE AUG 2015
DRAWN BY: CS		APPROVED BY:	
RECOMMENDED BY:		REC. BY:	
APPROVED BY:	BALTAZAR MEJIA, CITY ENGINEER R.C.E. #50330		



EAST 19TH STREET TRAFFIC IMPROVEMENTS
 IRVINE AVENUE
 PLAN AND PROFILE
 CITY OF COSTA MESA

7 of 32
 PLAN NUMBER
 C-7